



LS180S3

User Manual

V1.0.6 2024.12



Safety Instruction

Before using the product, please read and follow the instructions of this manual carefully, and refer to relevant national and international safety regulations.

⚠Attention

Please do not disassemble or modify the lidar privately. If you need special instructions, please consult our technical support staff.

⚠Laser Safety Level

The laser safety of this product meets the following standards:

- IEC 60825-1:2014
 - 21 CFR 1040.10 and 1040.11 standards, except for the deviations (IEC 60825-1, third edition) stated in the Laser Notice No. 56 issued on May 8, 2019.
- Please do not look directly at the transmitting laser through magnifying devices (such as microscope, head-mounted magnifying glass, or other forms of magnifying glasses).

Eye Safety

The product design complies with Class 1 human eye safety standards. However, to maximize self-protection, please avoid looking directly at running products.



⚠Safety Warning

In any case, if the product is suspected to have malfunctioned or been damaged, please stop using it immediately to avoid injury or further product damage.

Housing

The product contains high-speed rotating parts, please do not operate unless the housing is fastened. Do not use a product with damaged housing in case of irreparable losses. To avoid product performance degradation, please do not touch the photomask with your hands.

Operation

This product is composed of metal and plastic, which contains precise circuit electronic components and optical devices. Improper operations such as high temperature, drop, puncture or squeeze may cause irreversible damage to the product.

Power Supply

Please use the connecting cable and matching connectors provided with the lidar to supply power. Using cables or adapters that are damaged or do not meet

the power supply requirements, or supply power in a humid environment may cause abnormal operation, fire, personal injury, product damage, or other property loss.

Light Interference

Some precise optical equipment may be interfered with by the laser emitted by this product, please pay attention when using it.

Vibration

Please avoid product damage caused by strong vibration. If the product's mechanical shock and vibration performance parameters are needed, please contact us for technical support.

Radio Frequency Interference

The design, manufacture and test of this product comply with relevant regulations on radiofrequency energy radiation, but the radiation from this product may still cause other electronic equipment to malfunction.

Deflagration and Other Air Conditions

Do not use the product in any area with potentially explosive air, such as areas where the air contains high concentrations of flammable chemicals, vapours or particles (like fine grains, dust or metal powder). Do not expose the product to the environment of high-concentration industrial chemicals, including near evaporating liquefied gas (like helium), so as not to impair or damage the product function.

Maintenance

Please do not disassemble the lidar without permission. Disassembly of the product may cause its waterproof performance to fail or personal injury.

TABLE OF CONTENTS

1. PRODUCT PROFILE	1
1.1 OVERVIEW	1
1.2 MECHANISM	1
1.3 SPECIFICATIONS.....	1
1.4 DIMENSIONS.....	2
2. ELECTRICAL INTERFACE	4
2.1 POWER SUPPLY	4
2.2 WIRING DEFINITION.....	4
3. GET READY	6
3.1 LIDAR CONNECTION.....	6
3.2 SOFTWARE PREPARATION.....	6
4. USAGE GUIDE	8
4.1 OPERATION UNDER WINDOWS OS	8
4.1.1 Lidar Configuration	8
4.1.2 Upper Computer Platform.....	9
4.1.3 Point Cloud Data Parsing.....	9
4.2 ROS DRIVER OPERATION UNDER LINUX OS.....	10
4.2.1 Hardware Connection and Test.....	10
4.2.2 Software Operation Example.....	11
5. COMMUNICATION PROTOCOL	13
5.1 MSOP PROTOCOL.....	13
5.1.1 Format.....	13
5.1.2 Data Package Parameter Description	14
5.2 DIFOP PROTOCOL	16
5.3 UCWP PROTOCOL	18
5.3.1 Configuration Parameters and Status Description	19
5.3.2 Configuration Package Example.....	20
6. TIME SYNCHRONIZATION	22
6.1 GPS SYNCHRONIZATION	22
6.2 PTP/GPTP SYNCHRONIZATION	23
6.3 LIDAR INTERNAL TIMING	24
7. ANGLE AND COORDINATE CALCULATION	26
APPENDIX A. MAINTENANCE	27
APPENDIX B. TROUBLESHOOTING	28

1. Product Profile

1.1 Overview

The LS180S3 series hybrid solid-state LiDAR adopts Leishen Intelligent’s self-developed and self-produced 1550 (± 25) nm fibre laser as the light source. It can effectively identify different target attributes such as people, animals, vehicles, tyres and falling objects, and output information such as distance and 3D profile. The lidar’s vertical resolution is designed to be customisable non-uniformly distributed, enabling ultra-high resolution when detecting fine targets at long distances. The lidar is suitable for embedding in the roof or front bumper position, which is more in line with the aesthetic needs of passenger car design and is ideal for application in automatic drive scenarios.

1.2 Mechanism

The lidar adopts the Time of Flight (ToF) method. The lidar starts timing (t_1) when the laser pulses are sent out. And when the laser encounters the target object and the light returns to the sensor unit, the receiving end stops timing (t_2).

$$\text{Distance} = \text{Speed of Light} * (t_2 - t_1) / 2$$

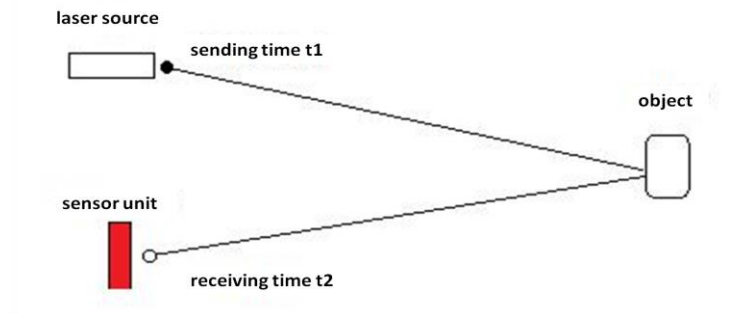


Figure 1.1 Time of Flight Ranging Mechanism

1.3 Specifications

Table 1.1 Specifications of LS180S3

Model	LS180S3
Detection Method	ToF
Wavelength	1550 (± 25) nm
Laser Class	Class 1 (eye-safe)
Detection Range	1.5 m ~250 m (@10% reflectivity)
Range Accuracy	± 2 cm

Total Laser Beams	1,800 beams/sec	
Data-Point-Generating Rate	1,650,000 pts/sec	
Vertical FOV	LS180S3-A	22.5°
	LS180S3-B	25°
	LS180S3-F	22.5°
Horizontal FOV	120°	
Angular Resolution (H*V)	LS180S3-A	0.129°*0.11°
	LS180S3-B	0.13°*0.1°(@ROI)
	LS180S3-F	0.116°*0.111°
Frame Rate	10 FPS	
Communication Interface	Automotive Ethernet	
Clock Source	GPS/PTP/gPTP	
Operating Voltage	9 V ~36 VDC	
Operating Temperature	-40°C ~ +85°C	
Storage Temperature	-40°C ~ +105°C	
Shock Test	500 m/sec ² , lasting for 11 ms	
Vibration Test	5 Hz ~2000 Hz, 3G rms	
IP Grade	IP 6K9K	
Power Consumption	≤25 W	
Dimensions (L*W*H)	229*132*46 mm	
Weight	≤1.6 kg	

1.4 Dimensions

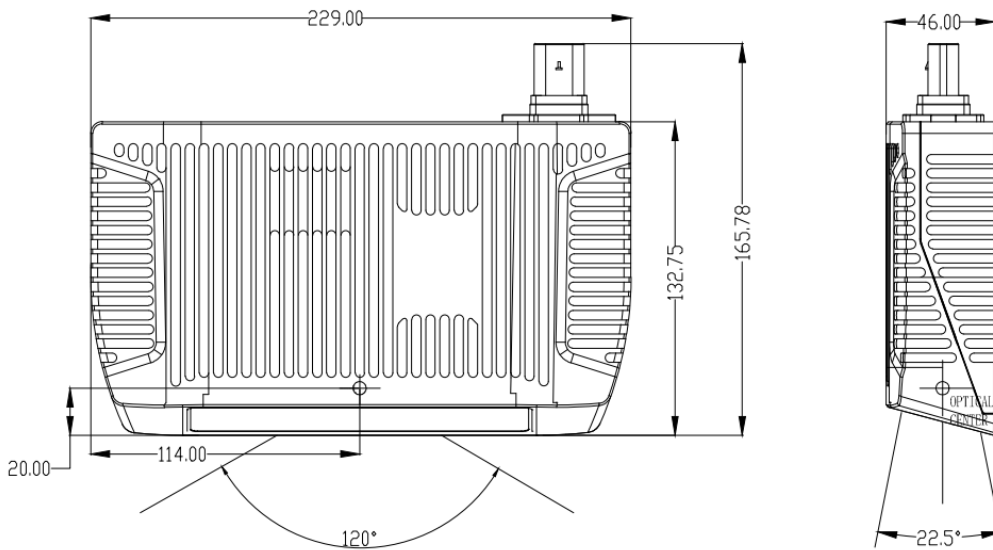


Figure 1.2 LS180S3-A (22.5°) Mechanical Drawing

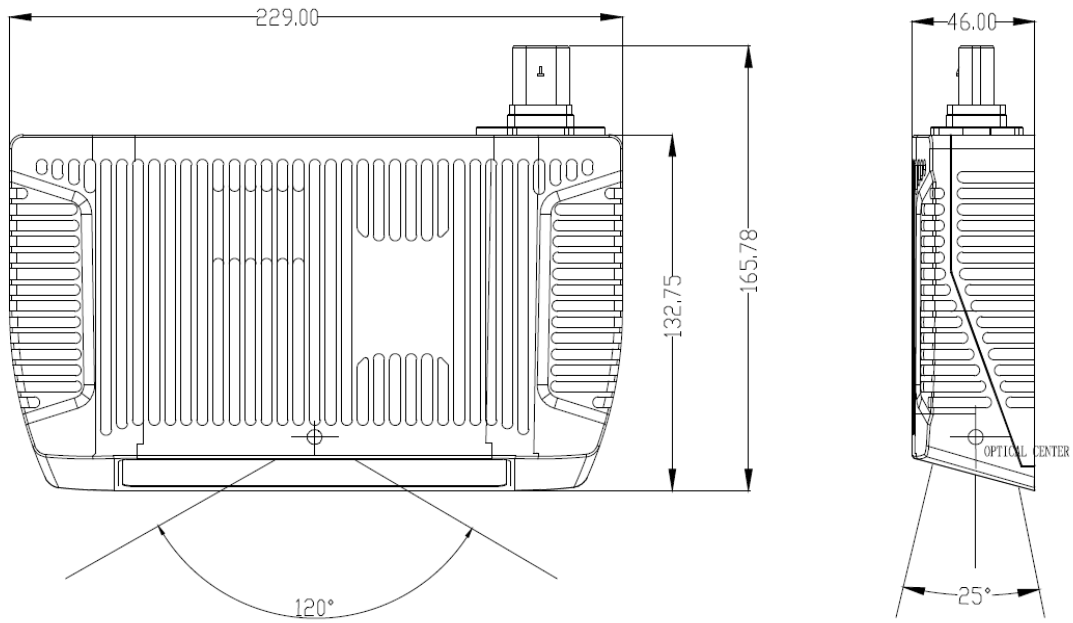


Figure 1.3 LS180S3-B (25°) Mechanical Drawing

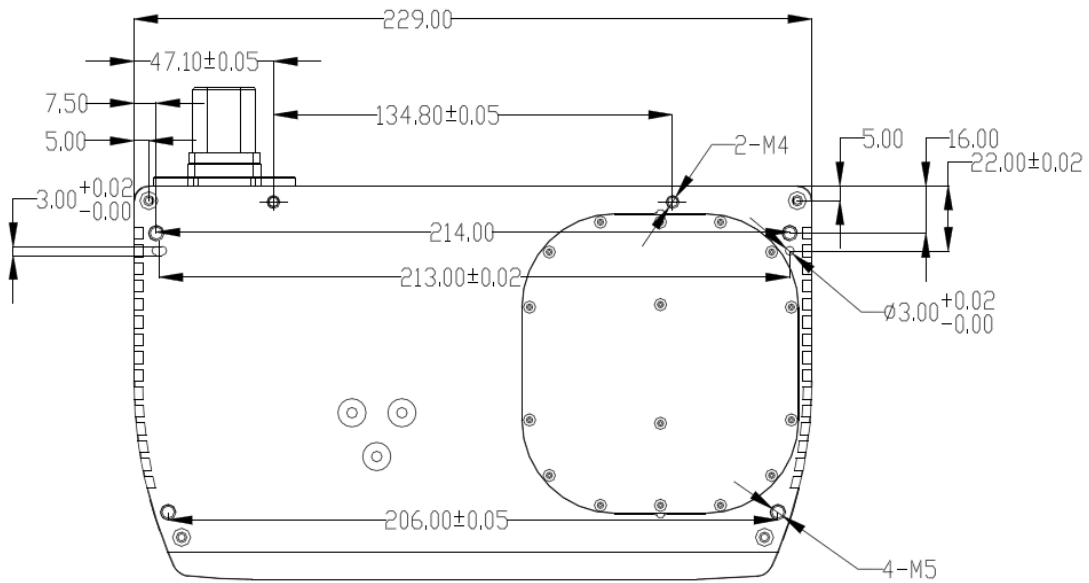


Figure 1.4 LS180S3 Lidar Mounting Drawing

Note:

1. Two φ 3 dowel pins for the location holes.
2. Four M5*6 mm hexagon socket head cap screws to mount and fix.

2. Electrical Interface

2.1 Power Supply

The power input range of the LS180S3 lidar is 9 V~36 V DC. Please note that DC 9 V and 36 V are short-term power supply in extreme environment, which cannot be used as working voltage. When the voltage output fluctuates, the lidar may not be able to work normally.

2.2 Wiring Definition

The specification of LS180S3 lidar’s connector is TEPNA:2387351-1. A 2-in-1 cable (one for power and signal; the other for automotive ethernet) is used to connect to the lidar, as shown below.

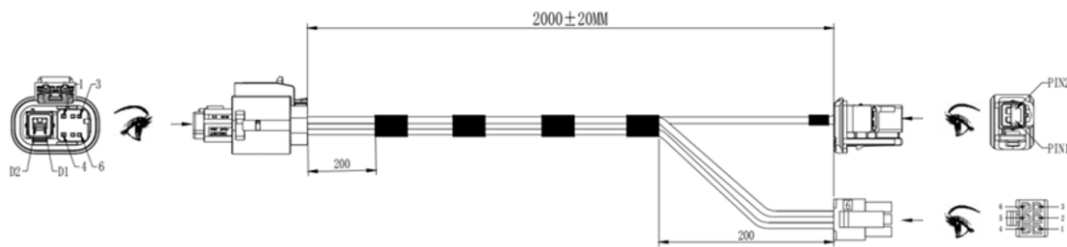


Figure 2.1 The 2-in-1 Cable

Table 2.1 Wiring Definition of the 6-Pin Power Cord (GPS Time Service)

S/N	Color	Definition	Description
D2	White	Ethernet D+	1000 Base-T1; Ethernet TX+
D1	Green	Ethernet D-	1000 Base-T1; Ethernet TX-
1	Red	VCC/0.75 mm ²	Power supply+
2	Green	GPS-TXD/0.35 mm ²	GPS latitude & longitude, hour/minute/second
3	White	WAKE/0.35 mm ²	Wake-up input signal
4	Black	GND/0.75 mm ²	Power supply-
5	Black	GPS-PPS/0.35 mm ²	GPS Sync Pulse/External Sync Pulse
6	Yellow	GPS-GND/0.35 mm ²	GPS signal ground

An interface box is sent to the user with the lidar, whose function is to facilitate the testing and connection of the lidar. Please note that the interface box is not a necessary accessory for lidar operation.

The interface box of the lidar includes: an automotive ethernet port, an automotive power port, a 5.5*2.5 mm DC socket, an indicator light, a RJ45 network port and a 6-pin GPS port, as shown in Figure 2.2.

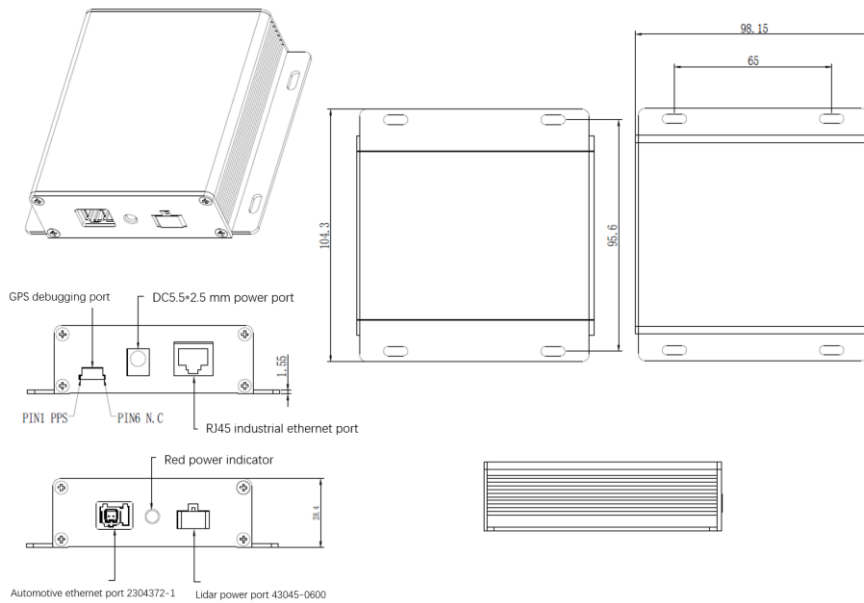


Figure 2.2 Interface Box

The GPS socket of the Interface Box is the SM06B-SRSS-TB presented by the JST Company, and the recommended plug interface for the external GPS module is JST's SHR-06V-S-B. The interface definition of the GPS is here below:

Table 2.2 The Pin Definition of the GPS

PIN	Function Definition	I/O	Requirement
1	PPS Sync Signal	I	TTL electrical level ranges from 3.3 V ~12 V, the cycle is 1 second, and the recommended pulse width is more than 5 ms
2	GPS Power Supply 5V	O	No hot plug or unplug
3	GPS_GND	O	Good contact
4	GPS (latitude/longitude, hour/minute/second)	I	RS232 level, baud rate 9600 bps
5	GPS_GND	O	Good contact
6	NC	-	-

3. Get Ready

3.1 Lidar Connection

To get ready for the lidar operation, please connect the lidar, host computer, GPS module and power supply through the interface box.

Note: Please remove the protective film on the optical window before use.

3.2 Software Preparation

The LS180S3 lidar can be operated under both Windows operating system and Linux operating system. Software needed is as follows:

Wireshark: to capture the ARP (Address Resolution Protocol) packets.

Note: Wireshark is a third-party software, and you may need to download it by yourself. Leishen Intelligent bears no responsibility for any copyright and commercial disputes caused by users' use of the software.

To view the point cloud data generated by the lidar, you can either use the **Windows Client** or the **ROS Drive Program**.

Windows Client (optional): a host computer software to view point cloud image under Windows operating system, which is also referred to as "point cloud display software". Simple functions like parameter configuration, lidar test and fault detection can be realized through the client, too.

- Software Acquisition

This Windows Client has been pre-stored in the Service Pack provided along with the lidar. It can also be obtained from the sales or technical support personnel. No installation is required to the client.

- Operating Environment

This software can only run under the Windows x64 operating system at present. The computer configuration requirements for installing the software are: CPU: Intel(R) Core (TM) i5 or higher; Graphics Card: NVIDIA GeForce GTX750 or higher achieves the best effect, otherwise the display of the point cloud may be affected. And the computer graphics card must support OpenGL 2 or higher graphics acceleration to display the point cloud normally.

- Supplemental Software

To use the Windows Client, it is necessary to install the **Npcap** third-party library,

which is also included in the Windows Client installation files package.

ROS Driver Program (optional): to view the point cloud data under Linux operating system. This program has been pre-stored in the Service Package provided with the lidar. It can also be obtained from the sales or technical support personnel. No installation is required.

4. Usage Guide

This part states operation instructions of the Upper Computer Platform and ROS driver.

4.1 Operation Under Windows OS

4.1.1 Lidar Configuration

The default IP address and port number of the lidar network are as follows:

Table 4.1 Default Lidar Network Configuration

	IP Address	UDP Device Package Port	UDP Data Package Port
Lidar	192.168.1.200	2368 (Fixed)	2369 (Fixed)
Computer	192.168.1.102	2369	2368

Note:

The lidar IP (local IP) and the computer IP (destination IP) cannot be set to the same, otherwise the lidar will not work normally.

In the multicast mode, no two destination ports should be set to the same port number.

The lidar IP range are **forbidden** to be set to

- 1) Class D IP address (multicast address: i.e. 224.0.0.0~ 239.255.255.255)
- 2) Class E IP address (reserved address: i.e. 240.0.0.0~ 255.255.255.254)
- 3) Broadcast address (i.e. 255.255.255.255 and xx.x.255 for each network segment)
- 4) Special class IP address (0.x.xx and 127.xxx)

The lidar destination IP are **forbidden** to be set to

- 1) Class E IP address (i.e. 240.0.0.0 to 255.255.255.254)
- 2) Special class address (0.x.xx and 127.x.x.x)

When connecting to the lidar, if the computer IP and the lidar IP are in different network segments, the gateway is needed to be set; if they are in the same network segment, only different IPs are needed to be set, for example: 192.168.1.x, and the subnet mask is 255.255.255.0. If you need to find the Ethernet configuration information of the lidar, please connect the lidar to the computer and use “Wireshark” to capture the ARP packet of the device for

analysis. For the feature identification of the ARP packet, see the figure below.

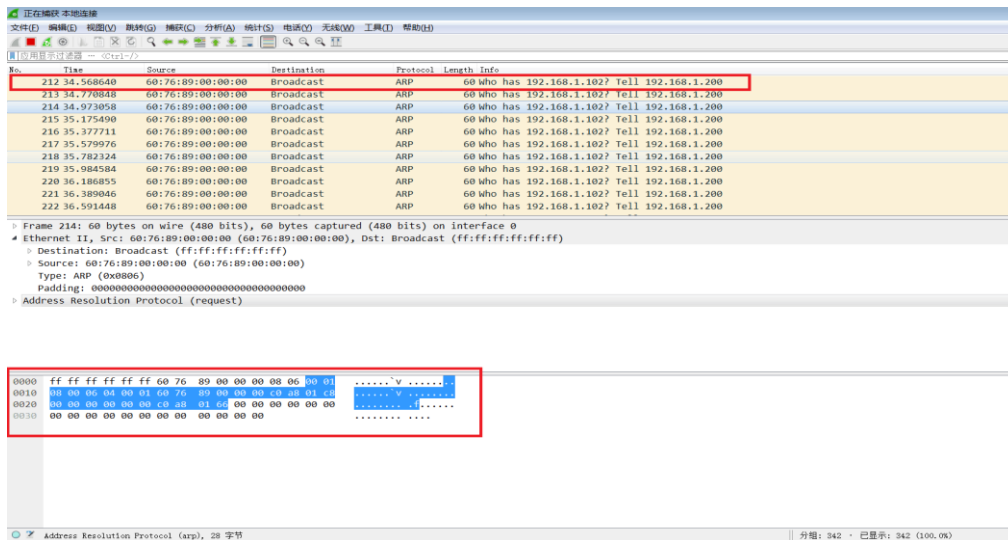


Figure 4.1 Wireshark captures APR packets

4.1.2 Upper Computer Platform

Upper Computer Platform (Windows Client), which is also referred to as “point cloud display software”. Simple functions like parameter configuration, lidar test and fault detection can be realized through the software, too.

For more information on how to use the software, please refer to the software operation manual included in the LiDAR service package or click on the icon



in the upper right corner of the software to jump to the software operation.

4.1.3 Point Cloud Data Parsing

If you need to parse lidar data, please follow the steps below:

Step 1. Parse the data package to obtain the relative horizontal angle, ranging information, intensity data and time information of each laser;

Step 2. Read the device package to obtain information such as the time information (GPS or PTP/gPTP time synchronization) and the current configuration of the device;

Step 3. Obtain the vertical angle of each line according to the laser beam distribution;

Step 4. According to the distance measurement value, vertical angle and the calculated horizontal angle of the point cloud data, the XYZ coordinate values are obtained;

Step 5. If necessary, calculate the precise time of the point cloud data through time information, microsecond timestamp, light-emitting time of each laser, as well as single and dual echo modes;

Step 6. Reconfigure information such as Ethernet, PPS synchronization horizontal angle, motor speed and other information as needed, and pack the configuration package protocol.

4.2 ROS Driver Operation Under Linux OS

4.2.1 Hardware Connection and Test

Step 1. Connect the lidar to the internet and power supply

Step 2. Set the computer wired IP according to the destination IP of the lidar, (whether the computer wired IP is set successfully can be checked by the ifconfig command, as shown in the figure, the destination IP is 192.168.1.102)

```
ls@ls-Inspiron-15-3511:~$ ifconfig
enxf8e43b292f8c: flags=4163<UP,BROADCAST,RUNNING,MULTICAST> mtu 1500
    inet 192.168.1.102 netmask 255.255.255.0 broadcast 192.168.1.255
    inet6 fe80::898a:1bfd:a729:2f4e prefixlen 64 scopeid 0x20<link>
    ether f8:e4:3b:29:2f:8c txqueuelen 1000 (以太网)
    RX packets 254127 bytes 313581906 (313.5 MB)
    RX errors 254118 dropped 3 overruns 0 frame 254118
    TX packets 76 bytes 9406 (9.4 KB)
    TX errors 0 dropped 0 overruns 0 carrier 0 collisions 0
```

Figure 4.2 ifconfig Command Feedback

Note: The default destination IP of the lidar is 192.168.1.102, and the computer must be configured according to the actual lidar destination IP. After setting the IP for the first time, please restart the lidar.

Step 3. After the lidar is powered on and restarted, check the wired connection icon of the computer to see whether it is connected properly.

Step 4. Open the terminal: ping the lidar IP, and test whether the hardware is connected normally. If the ping is successful, then the data is received, otherwise check the hardware connection.

Step 5. Use “sudo tcpdump -n -i eth0” (here eth0 is the name of the wired network device, see the device name of ifconfig wired connection display for details) to view the data packets sent by the lidar (as shown in the figure, there are 1206-byte data packets sent by the lidar to the destination, which means that the lidar data is sent normally).

```
leishen@robot:~$ sudo tcpdump -n -i eth0
tcpdump: verbose output suppressed, use -v or -vv for full protocol decode
listening on eth0, link-type EN10MB (Ethernet), capture size 262144 bytes
19:49:08.973111 IP 192.168.1.200.2368 > 192.168.1.102.2368: UDP, length 1206
19:49:08.973717 IP 192.168.1.200.2368 > 192.168.1.102.2368: UDP, length 1206
19:49:08.974308 IP 192.168.1.200.2368 > 192.168.1.102.2368: UDP, length 1206
19:49:08.974913 IP 192.168.1.200.2368 > 192.168.1.102.2368: UDP, length 1206
19:49:08.975517 IP 192.168.1.200.2368 > 192.168.1.102.2368: UDP, length 1206
19:49:08.976107 IP 192.168.1.200.2368 > 192.168.1.102.2368: UDP, length 1206
19:49:08.976714 IP 192.168.1.200.2368 > 192.168.1.102.2368: UDP, length 1206
19:49:08.976800 IP 192.168.1.200.2368 > 192.168.1.102.2368: UDP, length 1206
```

Figure 4.3 sudo tcpdump -n -i eth0 Command Feedback

4.2.2 Software Operation Example

All the command in the following examples are for reference only, please refer to the README file in the ROS driver included in the Service Package for details.

Step 1. Establish a workspace and build a compilation environment

```
mkdir -p ~/lidar_ws/src
cd ~/ lidar_ws
```

Note: The workspace can be named arbitrarily. For example, “lidar_ws” can be changed to any name.

Step 2. Download the Lidar ROS driver

The ROS driver can also be obtained directly from our website or customer service. Copy the obtained driver file to the newly created workspace “src”, and decompress it.

Step 3. Compile and package

```
cd ~/ lidar_ws
catkin_make
```

Step 4. Run the program

```
source devel/setup.bash
roslaunch lsidar_driver lsidar_ls.launch
```

Reopen a terminal again and execute the following command:

```
roslaunch rviz rviz
```

Note 1): If the lidar destination port and motor speed are modified, please open “lsidar_ls.launch” to modify the configuration accordingly. The default data packet port is 2368, device packet port is 2369, IP address is 192.168.1.200.

Note 2): If timeout appears, it means that the driver has no data reception. Please check the hardware connection.

Note 3): If steps 1, 2, and 3 have been completed, next time after the “Displays Window” is reopened, start directly from step 4.

Step 5. Display the data detected by the lidar

In the “Displays Window” that pops up, modify the value of "Fixed Frame" to “laser_link”. Click the “Add” button at the same time, and click “PointCloud2” under “By topic” to add a multi-line point cloud node.

5. Communication Protocol

Lidar data output and configuration use Fast Ethernet UDP/IP communication protocol. There are 3 UDP packet protocols, and the packet length is 1248 bytes (42 bytes Ethernet header and 1206 bytes payload).

The communication protocols of the lidar are:

Main data Stream Output Protocol (MSOP): outputting the distance, angle, intensity and other information measured by the lidar;

Device Information Output Protocol (DIFOP): outputting the current status of lidar and accessory equipment and various configuration information;

User Configuration Write Protocol (UCWP): setting the configuration parameters of the lidar.

Table 5.1 UDP Packet Protocol

Protocol Name	Abbr.	Function	Length	Transmission Interval
Main data Stream Output Protocol	MSOP	Outputting measured data and timestamp	1248 bytes	0.06712 ms
Device Information Output Protocol	DIFOP	Outputting parameter configuration and status information		1 s (for one packet)
User Configuration Write Protocol	UCWP	Inputting user configured device parameters		Not Fixed

5.1 MSOP Protocol

The data package outputs measured data such as the angle value, distance value, intensity value, and timestamp of the point cloud. The data of the package adopts Big-Endian mode.

The LS180S3 lidar supports single echo mode which measures the most recent echo value.

The data package includes a 42-byte Ethernet header and a 1206-byte payload, with a total length of 1248 bytes. The payload consists of 1192 bytes of point cloud data and 14 bytes of additional information (including 2 bytes reserved, 6 bytes of UTC, 4 bytes of Timestamp and 1 byte of datatype and 1 byte of hardware).

5.1.1 Format

Each MSOP data packet contains 1206 bytes of data. Each packet of data

contains 149 points, that is, $149 \times 8 = 1192$ bytes, and the frame tail is 14 bytes (including 2 bytes of package counter, 6 bytes of UTC Time or Unix Timestamp (unit: second), 4 bytes of Timestamp (unit: nanosecond) and 1 byte of lidar model and 1 byte of echo mode).

See the table below:

Header (42 Bytes)				
Measure point 1				
Measure point 2				
Measure point 3				
.....				
Measure point 149				
Counter	UTC Time/Unix Timestamp	Timestamp	Model	Echo Mode

Note: The lidar displays the point cloud image by frame. In the MSOP data package, if the data of the first point is FF AA BB CC DD EE 11 22, then it is the start mark of the point cloud frame (the lidar scans to the far right at this time). The start mark can be anywhere in a packet of data, not necessarily the packet header. This point is not displayed as point cloud data, but is only a judgment mark for the beginning of an image frame.

5.1.2 Data Package Parameter Description

Ethernet Header

The Ethernet header has a total of 42 bytes, as shown in the table below.

Ethernet Header: 42 Bytes				
Name	S/N	Information	Offset	Length (byte)
Ethernet II MAC	0	Destination	0	6
	1	Source	6	6
Ethernet Packet Type	2	Type	12	2
Internet Protocol	3	Version, Header Length, Differentiated Services, Field, Total Length, Identification, Flags, Fragment Offset, Time to Live, Protocol, Header, Checksum, Source IP Address, Destination IP Address	14	20
UDP Port Number	4	Lidar Port (0x0941, represents 2369)	34	2
	5	Computer Port (0x0940, represents 2368)	36	2
UDP Length & Sum Check	6	Length (0x04BE, represents 1214 bytes)	38	2
	7	Sum Check	40	2

Subframe

The subframe is the effective data area of the data packet, which contains a total of 1192 bytes, including 149 points, that is, $149 \times 8 = 1192$ bytes. Take the first measure point as an example:

Byte 1	Byte 2	Byte 3	Byte 4	Byte 5	Byte 6	Byte 7	Byte 8
Horizontal angle [15:8]	Horizontal angle [7:0]	Vertical angle [15:8]	Vertical angle [7:0]	Distance [23:16]	Distance [15:8]	Distance [7:0]	Strength

Byte 1 and **Byte 2** represent the horizontal angle. The most significant value in the sequence is stored first, at the lowest storage address while the least significant value is stored at the highest storage address. The unit is 0.01° . For example, $0x11AD = 4525$, that is 45.25° .

Byte 3 and **Byte 4** are 16 bits in total, the high 2 bits represent the line number, and the low 14 bits represent the vertical angle value. The unit is 0.0025° . For example, $0x11AD = 4525$, that is 11.3125° .

Byte 5, **Byte 6**, and **Byte 7** represent the distance value, the most significant value in the sequence is stored first, at the lowest storage address while the least significant value is stored at the highest storage address. Unit: 1 mm.

To analyse the distance value, for example: the distance value in the obtained data packet is represented by the hexadecimal number $0x01, 0x18, 0x32$, and the first two bytes are composed of 24-bit data, that is: $0x011832$, which is converted to decimal distance value: 71730 mm, that is 71.73 m.

Byte 8 represents the echo strength, and the value range is 0-255. (Echo strength can reflect the energy reflection characteristics of the measured object in the actual measurement environment. Therefore, the echo strength can be used to distinguish objects with different reflection characteristics).

Note:

When parsing the data, the conversion from hexadecimal to decimal is a signed number.

Azimuth

The right side of the lidar is defined as the horizontal angle of 90° , the left side as -90° , and the vertical direction as 0° , as shown in the figure below. The range of the lidar's horizontal direction is -60° to 60° .

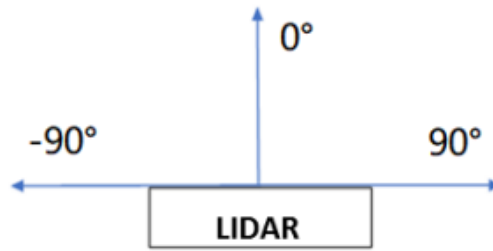


Figure 5.1 The Azimuth of the Lidar

Additional Information

The additional information is 14 bytes in length, including 2 bytes of package counter, 6 bytes of UTC Time or Unix Timestamp (unit: second), 4 bytes of Timestamp (unit: nanosecond), 1 byte of lidar model and 1 byte of echo mode.

Additional Information: 14 bytes			
Name		Length (byte)	Function
Package Counter		2	Loop counter, the value is increased by 1 for every package sent
Time		6	UTC Time or Unix Timestamp
Timestamp		4	Timestamp (unit: ns)
Factory	Lidar Model	1	Different value represents different model
	Echo Mode	1	0x1 represents single echo lidar 0x2 represents dual echo lidar

5.2 DIFOP Protocol

The device package outputs read-only parameters and status information such as version number, Ethernet configuration, motor speed and operating status, and fault diagnosis. The data of the device package adopts Big-Endian mode.

The device package includes a 42-byte Ethernet header and a 1206-byte payload, with a length of 1248 bytes. The payload is composed of an 8-byte frame header, 1196-byte data and a 2-byte frame tail.

Header is the device packet identification header, which is fixed as 0xA5,0xFF,0x00,0x5A,0x11,0x11,0x55,0x55, and the first 4 bytes can be used as the packet inspection sequence. The tail is fixed as 0x0F,0xF0.

Figure 5.2 Data Format of the Device Package

Ethernet Header: 42 bytes				
Name	S/N	Information	Offset	Length (byte)
Ethernet II MAC	0	Destination	0	6
	1	Source	6	6
Ethernet Packet Type	2	Type	12	2

Internet Protocol	3	Version, Header Length, Differentiated Services, Field, Total Length, Identification, Flags, Fragment Offset, Time to Live, Protocol, Header, Checksum, Source IP Address, Destination IP Address	14	20
UDP Port Number	4	Lidar Port (0x0940, represents 2368)	34	2
	5	Computer Port (0x0941, represents 2369)	36	2
UDP Length & Sum Check	6	Length (0x04BE, represents 1214 bytes)	38	2
	7	Sum Check	40	2
Payload: 1206 Bytes				
Name	S/N	Information	Offset	Length (byte)
Header	0	DIFOP Identification Header	0	8
Data	1	Reserved	8	2
	2	Ethernet (IP, MAC, Port, NTP)	10	22
	3	Ethernet (Gateway, Subnet Mask)	32	8
	4	Scanning Status	40	2
	5	Device Flow Packet Interval	42	2
	6	Clock Source Selection	44	1
	7	Reserved	45	7
	8	UTC	52	6
	9	Latitude and Longitude	58	22
	10	APD Board 1 Temperature	80	2
	11	APD Board 2 Temperature	82	2
	12	APD Board 1/2 High Voltage	84	2
	13	PTP Status	86	1
	14	Reserved	87	3
	15	APD Board 3/4 High Voltage	90	2
	16	GPS Status	92	1
	17	PPS Status	93	1
	18	Fast Axis Motor Speed	94	4
	19	Reserved	98	2
	20	Frame Rate	100	1
	21	Reserved	101	1
	22	Phase Lock Switch	102	1
	23	Phase Lock Status Report	103	1
	24	Reserved	104	2
	25	Seed Status	106	2
	26	Output Light Status Detection	108	2
	27	Laser Temperature 1	110	2
	28	Laser Temperature 2	112	2
	29	Reserved	114	2
	30	Reserved	116	2
	31	Reserved	118	2
	32	Lidar's Total Operating time	120	4
	33	Operating Time Below -40°C	124	3
	34	Operating Time Below -10°C	127	3
	35	Operating Time Below 30°C	130	3

	36	Operating Time Below 70°C	133	3
	37	Operating Time Below 100°C	136	3
	38	Reserved	139	21
Tail	120	Tail	1204	2

5.3 UCWP Protocol

The UCWP configures the lidar's Ethernet, motor speed and other parameters, and the data of the configuration package adopts the Big-Endian mode.

The configuration packet includes a 42-byte Ethernet header and a 1206-byte payload, with a length of 1248 bytes. The payload is composed of an 8-byte Header, 1196-byte Data, and a 2-byte Tail.

Header is the configuration packet identification header, which is fixed as 0xAA,0x00,0xFF,0x11,0x22,0x22,0xAA,0xAA, and the first 4 bytes can be used as the packet inspection sequence. The tail is fixed as 0x0F,0xF0.

Note: It is recommended to configure the lidar through the Windows Client. Please do not package and configure the lidar parameters by yourself.

Figure 5.3 Data Format of the Configuration Package

Ethernet Header: 42 bytes				
Name	S/N	Information	Offset	Length (byte)
Ethernet II MAC	0	Destination	0	6
	1	Source	6	6
Ethernet Packet Type	2	Type	12	2
Internet Protocol	3	Version, Header Length, Differentiated Services, Field, Total Length, Identification, Flags, Fragment Offset, Time to Live, Protocol, Header, Checksum, Source IP Address, Destination IP Address	14	20
UDP Port Number	4	Lidar Port (0x0941, represents 2369)	34	2
	5	Computer Port (0x0940, represents 2368)	36	2
UDP Length & Sum Check	6	Length (0x04BE, represents 1214 bytes)	38	2
	7	Sum Check	40	2
Payload: 1206 Bytes				
Name	S/N	Information	Offset	Length (byte)
Header	0	UCWP Identification Header	0	8
Data	1	Reserved	8	2
	2	Ethernet (IP, MAC, Port, NTP)	10	22
	3	Ethernet (Gateway, Subnet Mask)	32	8
	4	Reserved	40	2
	5	Device Flow Packet Interval	42	2

	6	Clock Source Select	44	1
	7	Reserved	45	7
	8	Reserved	52	6
	9	Reserved	58	22
	10	Reserved	80	2
	11	Reserved	82	2
	12	Reserved	84	2
	13	Reserved	86	2
	14	Reserved	88	2
	15	Reserved	90	2
	16	Reserved	92	1
	17	Reserved	93	1
	18	Reserved	94	4
	19	Reserved	98	2
	20	Frame Rate	100	1
	21	Reserved	101	1
	22	Phase Lock Switch	102	1
	23	Phase Lock Status Report	103	1
	24	Reserved	104	2
	25	Reserved	106	2
	26	Reserved	108	2
	27	Reserved	110	2
	28	Reserved	112	2
	29	Reserved	114	2
	30	Reserved	116	2
	31	Reserved	118	2
	32	Reserved	120	40
Tail	120	Tail	1204	2

5.3.1 Configuration Parameters and Status Description

Here below are the configuration parameters and status description of specific lidar information.

Ethernet Configuration

The length of the source IP address "IP_SRC" is 4 bytes and the length of the destination IP address "IP_DEST" is also 4 bytes. Each lidar has a fixed MAC address "MAC_ADDR" (6 bytes in length), which cannot be configured by users. Port1 is the UDP data port number and port2 is the UDP device port number.

Ethernet Configuration (22 bytes)									
S/N	Byte1	Byte2	Byte3	Byte4	Byte5	Byte6	Byte7	Byte8	
Function	IP_SRC				IP_DEST				
S/N	Byte9	Byte10	Byte11	Byte12	Byte13	Byte14	Byte15	Byte16	
Function	MAC_ADDR (Read Only)						Data Port: Port1		
S/N	Byte17	Byte18	Byte19	Byte20	Byte21	Byte22			
Function	Device Port: Port2		Reserved						

Device Flow Packet Interval

Device Flow Packet Interval (2 bytes)		
S/N	Byte0	Byte1
Function	0: send 1 device packet every time 4 data packets are sent; other values: 1 device packet per second;	

The configuration 0x0000 means to send 1 device packet every time 4 packets are sent, and other values mean 1 device packet per second. The default value is 1 (1 device packet per second).

Time

The lidar receives GPS signals and parses the \$GPRMC information. The UTC synchronizes with GPS. The GPS baud rate supported by the lidar is 9600. There are 8 data bits, 1 stop bit and no parity bit. When there is no external clock source to synchronize time, the lidar starts internal timing.

UTC Time (6 bytes Read Only)						
S/N	Byte1	Byte2	Byte3	Byte4	Byte5	Byte6
Function	Year	Month	Day	Hour	Minute	Second
	0~255 corresponding to the year 2000~2255	1~12 month	1~31 day	0~23 hour	0~59 min	0~59 sec

Unix Timestamp (6 bytes Read Only)						
S/N	Byte 1	Byte 2	Byte 3	Byte 4	Byte 5	Byte 6
Function	0xff	Timestamp				

Latitude and Longitude

Latitude and Longitude (22 bytes Read Only)									
S/N	Byte1	Byte2	Byte3	Byte4	Byte5	Byte6	Byte7	Byte8	
Function	Reserved	Latitude							
S/N	Byte9	Byte10	Byte11	Byte12	Byte13	Byte14	Byte15	Byte16	
Function	Longitude								
S/N	Byte17	Byte18	Byte19	Byte20	Byte21	Byte22			
Function					N/S	W/E			

The latitude and longitude are output in the form of ASCII code.

5.3.2 Configuration Package Example

If you want to reset the lidar IP as 192.168.1.105, computer IP as 192.168.1.225, data port number as 6688, device port number as 8899, according to the definition of the UCWP Packet and each register, it can be reconfigured as

follows:

Table 5.4 Configuration Package Example

Info	Content	Configuration	Length (byte)
Header	-	0xAA,0x00,0xFF,0x11,0x22,0x22,0xAA,0xAA	8
Reserved	Reserved	0x0000	2
Lidar IP (IP_SRC)	192.168.1.105	0xC0,0xA8,0x01,0x69	4
Computer IP (IP_DEST)	192.168.1.225	0xC0,0xA8,0x01,0xE1	4
Data Port (port1)	6688	0x1A20	2
Device Port (port2)	8899	0x22C3	2
Reserved	Reserved	0x0000	2
Reserved	Reserved	0x00	1180
Tail	-	0x0F,0xF0	2

When using this protocol to configure the device, byte-level or section-level addressing and writing are not allowed, and the entire list must be written completely. After the list is written, the corresponding function will be updated and take effect immediately.

6. Time Synchronization

There are three ways to synchronize the lidar and external equipment: GPS synchronization, external PPS synchronization and gPTP synchronization. If there is no external synchronization input, the lidar internally generates timing information. The absolute accurate time of the point cloud data is obtained by adding the 3-byte hour, minute, second information and the 4-byte timestamp (accurate to microseconds) of the data packet and the 3-byte UTC time (year, month and day) of the device packet.

6.1 GPS Synchronization

When GPS synchronization is employed, the lidar will start timing in nanoseconds after receiving the PPS, and the time value will be output as the timestamp of the data packet. The lidar extracts UTC information from the \$GPRMC of the GPS as the UTC output which is represented in both device packet and data packet.

There are two types of LS180S3 lidar GPS_REC interface level protocols, namely TTL level standard and RS232 level standard; the GPS_REC interface specification on the power box is SM06B-SRSS-TB female socket. The two protocols differ in two aspects, respectively:

TTL level pin definition:

Pin GPS_RX receives the standard serial port data of the TTL level output from GPS module;

Pin GPS_PPS receives the positive TTL synchronous pulse signal output by the GPS module;

RS232 pin definition:

Pin GPS_RX receives the standard serial data of the R232 level output from the GPS module;

Pin GPS_PPS receives the positive synchronization pulse signal output by the GPS module, and the level is required to be 3.0V~15.0V.

If the GPS used outputs according to the RS232 serial port protocol, and the lidar receives data according to the TTL protocol, then a RS232 to TTL conversion module is needed.

The GPS equipment is time-synchronized to mark and calculate the precise emission and data measurement time of each laser. The precise time of the lidar point cloud can be matched with the pitch, roll, yaw, latitude, longitude and

height of the GPS/inertial measurement system.

The default serial configuration baud rate of the GPS data output received by the lidar is 9600, 8N1. The PPS high pulse width is required to be more than 1 ms.

The standard format of GPRMC information is as follows:

\$GPRMC,<1>,<2>,<3>,<4>,<5>,<6>,<7>,<8>,<9>,<10>,<11>,<12> *hh

Table 6.1 The Standard Format of \$GPRMC Information

S/N	Name	Description/Format
1	UTC	hhmmss (hour/minute/second)
2	Positioning State	A=Effective Positioning, V=Invalid Positioning
3	Latitude	ddmm.mmmm (degree/minute)
4	Latitude Hemisphere	N (Northern Hemisphere) or S (Southern Hemisphere)
5	Longitude	dddmm.mmmm (degree/minute)
6	Longitude Hemisphere	E (East Longitude) or W (West Longitude)
7	Ground Speed	000.0~999.9 knot
8	Ground Direction	000.0~359.9 degree, take true north as the reference datum
9	UTC Date	ddmmyy (day/month/year)
10	Magnetic Declination	000.0~180.0 degree
11	Direction of Magnetic Declination	E (East) or W (West)
12	Mode Indication	Only NMEA0183 version 3.00 outputs, A= autonomic positioning, D= difference, E=estimation, N=invalid data


6.2 PTP/gPTP Synchronization

Precise Time Protocol (PTP) is used for high-precision time synchronization between devices in an accuracy within sub-microsecond for measurement and control systems.

Generalized Precise Time Protocol (gPTP) is derived from Precise Time Protocol (PTP) and is used to synchronize the time of individual devices within a local area network with high precision.

The PTP supported by this series of lidar transmits over MAC or IPv4 (IPv6 not supported) and works in P2P mode (Peer to Peer), and its synchronization method is Two-Step.

Before synchronizing the lidar via PTP/gPTP, the time source needs to be set to “PTP” in the lidar's point cloud display software. The lidar can automatically identify PTP and gPTP packet types.

The steps are as follows: open the point cloud display software, click on “” to bring up the parameter modification window, select “PTP” from the “Source Selection” drop-down list as shown in the figure below.

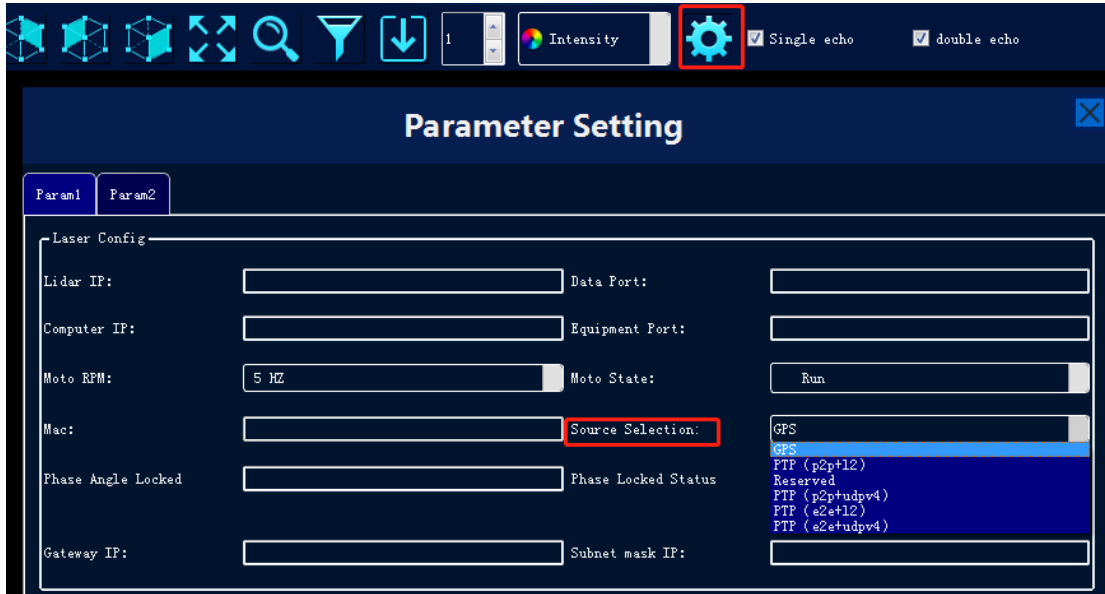


Figure 6.1 Clock Source Selection

Note:

- When “PTP” is selected as the clock source, the lidar no longer outputs UTC Time.
- The Timestamp and Date & Time in the point cloud packets will be synchronized strictly according to the time signal provided by the PTP/gPTP master. There may be a specified offset between some PTP/gPTP master and the lidar's time output, please make sure the PTP/gPTP master is properly set up and calibrated.
- If the lidar disconnected from the master after time synchronization, it will continue timing from the time of the interruption.

6.3 Lidar Internal Timing

When the lidar disconnected from the external clock source after time synchronization, then the lidar will continue timing from the time of the interruption.

When there is no other external clock source after-power on, the lidar will start internal timing and the timing value will be output as a timestamp of the data packet without UTC time reference. At this time, there would be 2 different cases in terms of time display on the point cloud display software: when the clock source is set to "GPS", the time will be counted from January 1, 2000, 00:00:00; when the time source is set to "PTP", the time will be counted from January 1, 1970, 00:00:00.

7. Angle and Coordinate Calculation

In order to obtain the vertical angle, horizontal angle and distance parameters of the lidar, the angle and distance information in polar coordinates can be converted to the x, y, z coordinates in the right-hand Cartesian coordinate system. The conversion relationship is shown in the following formula:

$$\begin{cases} x = r \cos \alpha \cos \theta; \\ y = r \cos \alpha \sin \theta; \\ z = r \sin \alpha \end{cases}$$

In the above formula, r is the distance, α is the vertical angle, θ is the horizontal rotation angle. And x, y, and z are the coordinates of the polar coordinates projected onto the x, y, and z axes.

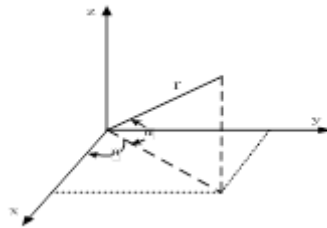


Figure 7.1 Coordinate Mapping

Appendix A. Maintenance

Shipping Requirements

LS series lidars use packaging materials specially customized by our company, which can resist certain vibrations and impacts. For long-distance transportation, special packaging materials must be used to avoid irreversible damage during transportation.

Installation

Use screws that meet the specifications to fix the lidar base, and make sure the base has good heat dissipation. Wear powder-free clean gloves during installation to avoid optical cover contamination and mechanical damage.

Storage Conditions

It is recommended to store the products in a ventilated and dry place where the temperature is $23\pm 5^{\circ}\text{C}$, and the relative humidity is 30% ~ 70%. Do not store in environments where humidity, pH, etc. exceed the protection level.

Dirt Treatment

If the mask is dirty during use, such as with fingerprints, muddy water, dry leaves or insect corpses, etc., the lidar's ranging effect will be directly affected. Please clean it according to the following steps:

Tools: PVC gloves, clean cloth, absolute ethanol (99%)

Environment: ventilated and dry, away from fire

- (1) Put on PVC gloves and fix the lidar base with your fingers; if it is not stubborn stains, use a dust-free cloth or dry air to gently remove the stains;
- (2) For stubborn stains, evenly spray the ethanol in the spray bottle on the location to be cleaned and wait for the stain to be dissolved. Then use a dustless cloth dipped in ethanol solvent, and gently wipe the mask. If the cloth is contaminated, please replace it in time. After cleaning the stain, use a new dustless cloth to remove any remaining liquid.

Appendix B. Troubleshooting

For any of the following problems during the use of the lidar, please refer to the corresponding solutions for troubleshooting. If you are unable to implement the following steps, or if you are still unable to solve the problem after implementing the steps, please contact our technical support.

Problem	Solution
The indicator light on the interface box is not working	Confirm: <ul style="list-style-type: none"> ● power supply meets electrical requirements ● interface box is in good condition with no damage ● power cord contact is good and undamaged; power adapter is working properly ● re-power the lidar to see if the fault disappears
Motor is not running	Confirm: <ul style="list-style-type: none"> ● power supply meets electrical requirements ● good contact between interface box and the lidar ● re-power the lidar to see if the fault disappears
Motor running but no data output on the host PC or Wireshark	Confirm: <ul style="list-style-type: none"> ● power supply meets electrical requirements ● the network cable is well connected ● the IP address of the computer matches the destination IP address of the lidar ● your computer's firewall and other security software that may affect Ethernet broadcasts is turned off ● if the lidar emits laser beam with an IR camera or IR card ● re-power the lidar to see if the fault disappears
Wireshark has data but the host PC has no data	Confirm: <ul style="list-style-type: none"> ● your computer's firewall is turned off ● the IP address of the computer matches the destination IP address of the lidar ● data port and device port in the host computer are set correctly ● lidar port is not occupied by another process ● Npcap plugin is installed ● re-power the lidar to see if the fault disappears
Point cloud missing	Confirm: <ul style="list-style-type: none"> ● lidar housing is clean and free of stains ● horizontal FOV setting in the host computer ● the number of packets received by the lidar is normal ● whether the lidar emits laser beams, this can be checked with an IR camera or an IR card ● whether there are network conflicts ● whether there is a network blockage caused by other devices transmitting large amounts of data ● connect the PC to the lidar only and observe if the point cloud is missing ● re-power the lidar to see if the fault disappears
Abnormal point cloud image on the host PC (flickering point cloud;	Confirm: <ul style="list-style-type: none"> ● the lidar housing is clean and free of stains ● lidar surroundings are not complex

irregular point cloud alignment)	<ul style="list-style-type: none"> ● horizontal FOV setting in the host computer ● whether the network is blocked by other devices transmitting data
Error occurs when running the Windows Client, no interface display	Confirm: <ul style="list-style-type: none"> ● the graphics card is used correctly, discrete graphics card is recommended ● the graphics card meets the minimum configuration requirements ● the driver for the graphics card is correctly installed
Crash or no response of the Windows Client when modifying lidar parameters	Confirm: <ul style="list-style-type: none"> ● Npcap plugin is installed ● the device package port number is correctly filled in ● the computer memory is not full

Revision History

Rev.	Release Date	Revised Content	Issued/Revised By
V1.0.0	2023-07-20	Initial Version	Leishen
V1.0.1	2023-11-29	Specifications modified; communication protocol modified; lidar dimensions modified and mechanical drawings	LS1499
V1.0.2	2024-01-09	Specification modified	LS1499
V1.0.3	2024-04-16	Specification modified	LS1499
V1.0.4	2024-06-12	Specifications table updated; MSOP protocol modified	LS1499
V1.0.5	2024-10-21	Operation under Windows OS updated	LS1499
V1.0.6	2024-12-10	Product overview updated	LS1499

*This product information is subject to change without notice.

Copyright ©2024 Leishen Intelligent System Co., Ltd. All rights reserved.



**Make Safer Driving
Smarter Machine
and Better Life !**



Official Website: <https://www.lslidar.com>



Sales: sales@lslidar.com

After-Sales: support@lslidar.com